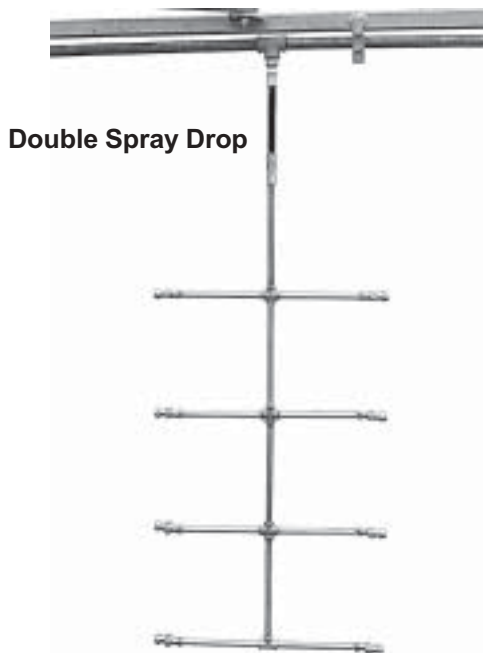




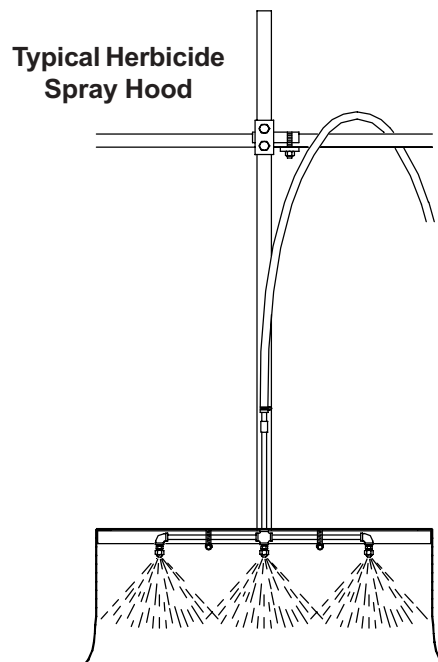
Sprayers - Spray Drops, Nozzles & Tips



Double Spray Drop



Single Spray Drop



Typical Herbicide Spray Hood

Our standard booms are plumbed using stainless steel pipe to withstand higher spraying pressures and to resist corrosion. We weld ¼ inch and ½ inch threaded nozzle inlets to the wet boom per your requirements. Instructions on how to space your nozzle inlets are described on page 36.

For a broadcast application, nozzle bodies and nozzles can be threaded directly into the welded inlets. For directed spraying application, we manufacture spray drops that thread directly into the nozzle inlet between planting rows. The nozzle inlet directly above the crop row is either plugged by the grower or includes a nozzle to spray the top of the plant.

Our spray drops are constructed with stainless steel fittings and brass nozzle bodies. They flex at the wet boom connection because they are hung from high pressure hose with high pressure hydraulic fittings. They usually include nozzles in four positions spaced 8" (20 cm) apart vertically.

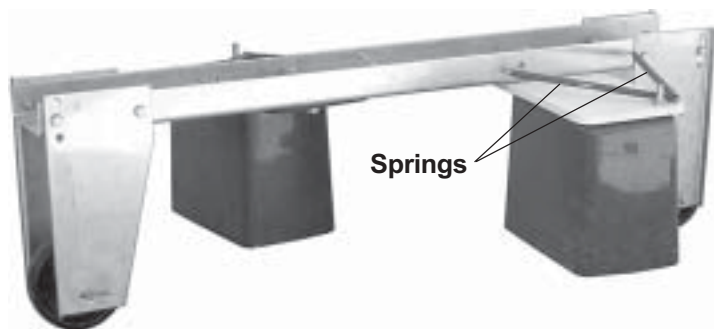
They are available to spray one side or two sides. In their standard form, we install TeeJet disc-core nozzles to provide a fine spray atomization.

Spray hoods are available to spray herbicides between planting beds in row middles. The spray hood mounts to the boom structure instead of the wet boom for strength. It connects to the wet boom by hose for the liquid supply. The hood is constructed of hanging rubber or cloth at the customer's request. Each hood is sized to match the customer's row middle dimensions.

Part #	Description
SM375SS	Single spray drop ¼ inch pipe, stainless steel
SM380SS	Double spray drop ¼ inch pipe, stainless steel
SM382SS	Single spray drop ½ inch pipe, stainless steel
SM384SS	Double spray drop ½ inch pipe, stainless steel

We use TeeJet nozzles and components on our sprayers, but can supply Albu, Wilger, Delevan, Greenleaf, and other options upon request. Call our sales department for weights and dimensions.

ARTICULATED SPRAY HOOD



Springs

Our articulated spray hood is the ideal attachment for spraying herbicides between planting beds. When the center beam is located between planting beds, the two spray hoods ride along the side of the bed and are kept in position by springs. If the spacing between beds narrows, the hoods move with the contour of the bed and do not tear plastic mulch or destroy the bed. The hoods flex with the contour of the beds and minimize spray drift.