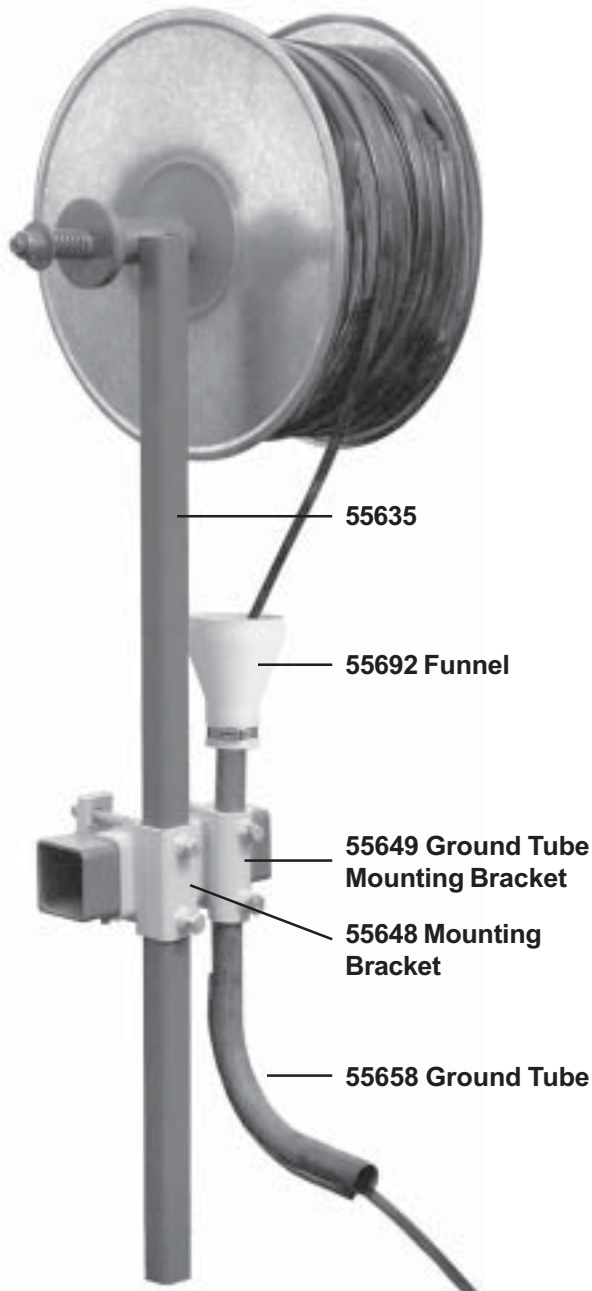




# Plastic Mulch Layers - Options

## IRRIGATION DRIP TAPE LAYER



The most popular attachment for plastic mulch layers is an irrigation drip tape layer. It includes a stand to hold one or two reels of drip tape on the machine and a ground feed tube which lays the drip tape on the surface of the bed under the plastic mulch. The ground tube is made of stainless steel and includes a heat-treated wear guard for longer life.

A smooth heavy-duty polymer guide funnel minimizes cuts and tears in the drip tape as it enters the ground tube. The funnel is very simple and inexpensive to replace, compared to repairing other manufacturers' guide systems.

The drip tape layer includes a disc-brake mechanism to

prevent spool backlash during starts and stops. Its spindle and side plates accept all styles of drip irrigation tape.

The mounting brackets for the reel stand and ground tube allow sideways adjustment so the irrigation tape can be located exactly where desired on the planting bed.

The system is available with a double reel stand to hold a second roll of tape. A subsoil shank is available to place the drip tape at a depth below the surface of the bed. See page 15 for details.

A variety of different ground tubes are also available. Round ground tubes are most often used because they allow the drip tape to pass freely with minimal clogging or restrictions. Flat ground tubes are used when growers have a difficult time getting the drip tape to lay flat on the bed.

Part #	Description
55635	Single reel drip tape layer stand with brake
55633	Double reel aligned drip tape layer with brake
55677	Double reel opposed drip tape layer with brake
55658	Standard ground tube - round with wear guard
55659	Standard ground tube - flat
55660	2 inch diameter ground tube - round with wear guard
55648	Irrigation drip tape layer mounting bracket - for high speed plastic mulch layer
55651	Irrigation drip tape layer mounting bracket - for superbedder
55647	Irrigation drip tape layer mounting bracket - for pan type plastic mulch layer
55649	Standard ground tube mounting bracket - for high speed plastic mulch layer
55654	Standard ground tube mounting bracket - for superbedder
55672	Standard ground tube mounting bracket - for pan type plastic mulch layer
55663	2 inch ground tube mounting bracket - for high speed plastic mulch layer
55640	Irrigation reel side plate - outer
55641	Irrigation reel side plate - inner
55646	Wingnut for reel
55699	Standard funnel
55697	2 inch funnel
55652	Brake pad

Call our sales department for weights and dimensions. When ordering a drip irrigation tape system, it is important to provide the following information to our sales department: What will you be mounting the system on (provide tool bar or frame size and dimensions)? Will you be laying the drip tape on the bed surface or at a depth below, and at what depth?