



Ground Preparation Equipment

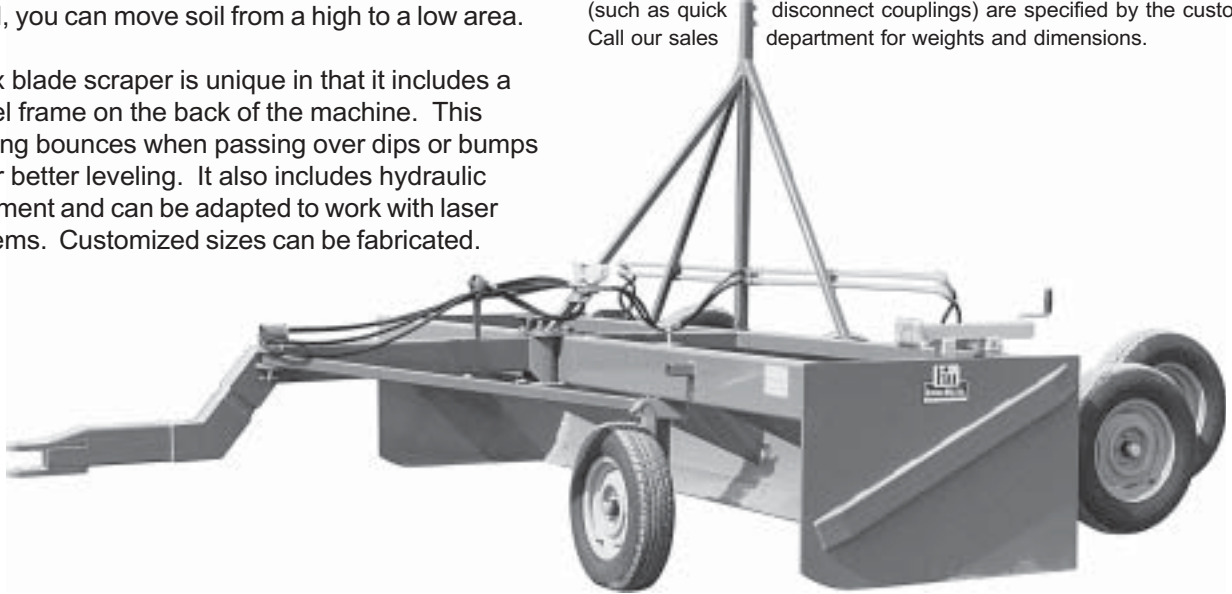
BOX BLADE SCRAPER

Kennco's box blade scraper is a very useful tool when preparing a field which has been out of production for a significant amount of time or which is extremely un-level. By their design, box blade scrapers allow you to move soil from one area of the field to another. Instead of simply leveling an area in a field, you can move soil from a high to a low area.

Kennco's box blade scraper is unique in that it includes a walking wheel frame on the back of the machine. This prevents jarring bounces when passing over dips or bumps in the field for better leveling. It also includes hydraulic height adjustment and can be adapted to work with laser leveling systems. Customized sizes can be fabricated.

Part #	Description
BP075	7 ft (2.1 m) wide box blade scraper
BP080	14 ft (4.3 m) wide box blade scraper

Standard box scrapers are pulled from the tractor drawbar. Threaded hydraulic fittings will be supplied unless special fittings (such as quick disconnect couplings) are specified by the customer. Call our sales department for weights and dimensions.

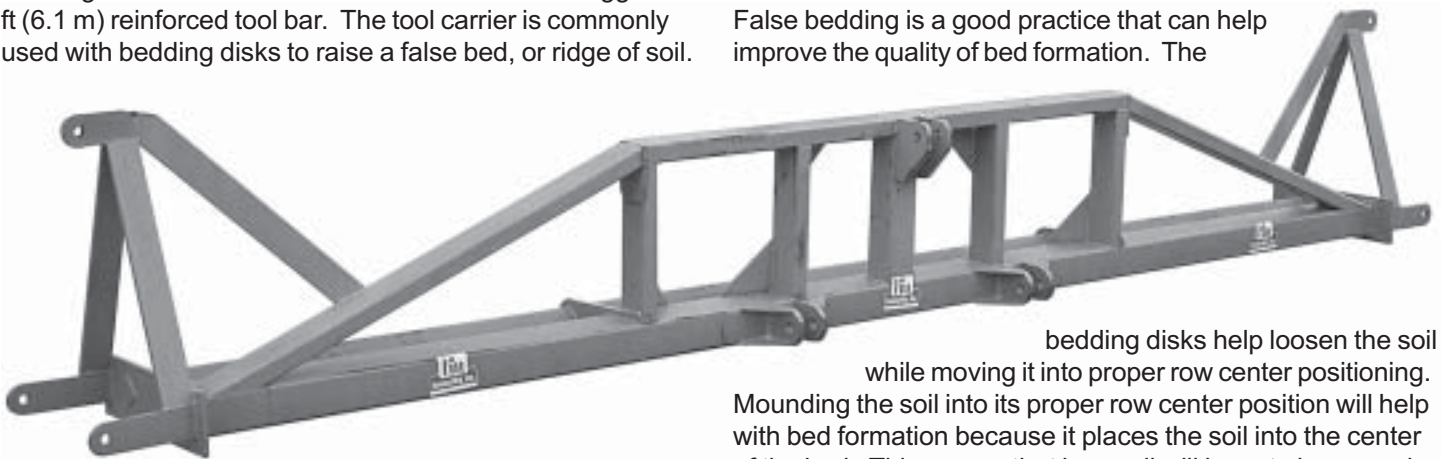


TOOL CARRIER

Prior to bed formation, it is very common to make a pass through the field with what we call a false-bedder or pre-bedding tool carrier. Our standard tool carrier is a rugged 20 ft (6.1 m) reinforced tool bar. The tool carrier is commonly used with bedding disks to raise a false bed, or ridge of soil.

Growers who do not use plastic mulch sometimes plant directly onto this false bed without further shaping.

False bedding is a good practice that can help improve the quality of bed formation. The



bedding disks help loosen the soil while moving it into proper row center positioning. Mounding the soil into its proper row center position will help with bed formation because it places the soil into the center of the bed. This means that less soil will have to be moved when you pass through the field with your bed shaper. If the false bed is raised and allowed to sit for a day or two, it can collect moisture and dissipate air trapped within the soil to improve compaction of the bed.

Part #	Description
BP645	20 ft (6.1 m) wide tool carrier

Our standard tool carriers fit a standard three-point Category II hitch. Kennco does not recommend mounting more than 3 sets of bedder disks to its BP645 tool carrier. Customized sizes and options are available. Call our sales department for weights and dimensions.

