



Ground Preparation Equipment

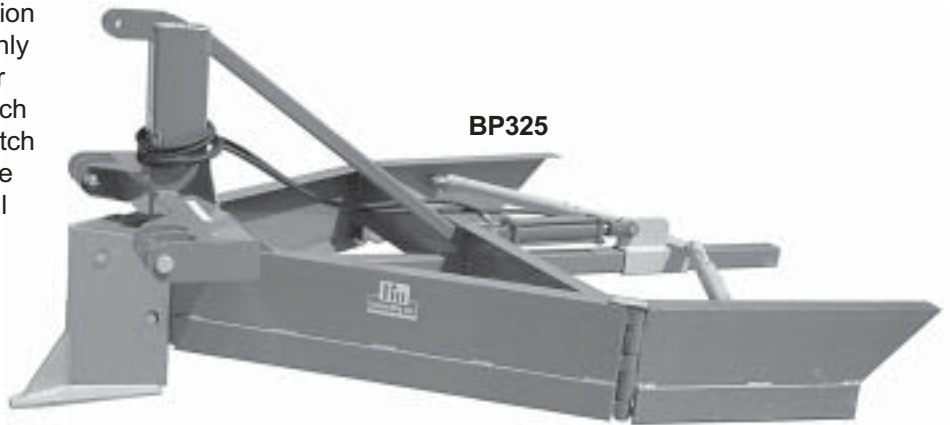
DITCH PLOW

Kennco's ditch plow makes a narrow irrigation ditch and distributes the displaced soil evenly on both sides of the ditch in one pass. Our standard ditch plow is designed to dig a ditch 10" (25 cm) deep and 16" (41 cm) wide. Ditch dimensions will vary with adjustments to the three-point hitch position, and changing soil and environmental conditions.

As the ditch plow works, it spreads the displaced soil a distance anywhere from 3 ft (0.9 m) to 4.5 ft (1.4 m) to either side of the ditch. The distance can be adjusted as desired by the operator. A hydraulic option is available to allow adjustment while ditching.

Kennco's ditch plow is ideal for digging irrigation ditches, drainage ditches to remove excess water from the field, and for ditch maintenance during the growing season.

Box blade attachments are available for use when the plow re-digs a ditch. They level the newly displaced soil beside the ditch without throwing it against the side of the bed or allowing it to fall back into the ditch.

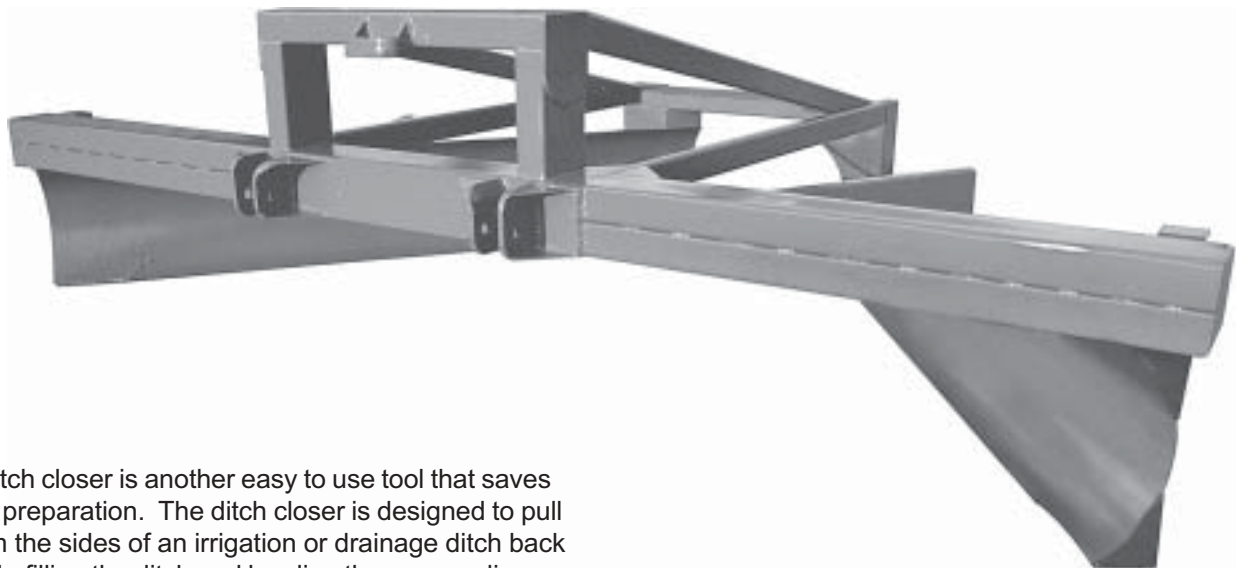


A variety of different custom sizes are available to meet different customer needs.

Part #	Description
BP320	Center V type ditch plow, manual adjustment
BP325	Center V type ditch plow, hydraulic adjustment
BP340	Center V type ditch plow point only

Our standard ditch plows fit a standard three-point Category II hitch. Call our sales department for weights and dimensions.

DITCH CLOSER



Kennco's ditch closer is another easy to use tool that saves time in field preparation. The ditch closer is designed to pull the soil from the sides of an irrigation or drainage ditch back into the ditch, filling the ditch and leveling the surrounding soil.

The center of the ditch closer is open so that extra soil is piled in the center of the machine where the ditch was. This excess soil prevents a depression over the ditch as the soil settles with weather and time.

Part #	Description
BP190	14 ft (4.3 m) ditch closer
BP192	16 ft (4.9 m) ditch closer

Our standard ditch closers fit a standard three-point Category II hitch. Customized sizes are available to meet different customer needs. Call our sales department for weights and dimensions.